

## FEATURES

- Differential or Single-Ended Gain Block (Adjustable)
- -3dB Bandwidth,  $A_V = \pm 2$ : 50MHz
- Slew Rate: 165V/ $\mu$ s
- Low Supply Current: 13mA
- Output Current:  $\pm 20$ mA
- CMRR at 10MHz: 40dB
- LT1193 Pin Compatible
- Low Cost
- Single 5V Operation
- Drives Cables Directly
- Output Shutdown
- Available in 8-Lead PDIP and SO Packages

## APPLICATIONS

- Line Receivers
- Video Signal Processing
- Cable Drivers
- Tape and Disc Drive Systems

## DESCRIPTION

The LT<sup>®</sup>1187 is a difference amplifier optimized for operation on  $\pm 5$ V, or a single 5V supply and gain  $\geq 2$ . This versatile amplifier features uncommitted high input impedance (+) and (-) inputs, and can be used in differential or single-ended configurations. Additionally, a second set of inputs give gain adjustment and DC control to the difference amplifier.

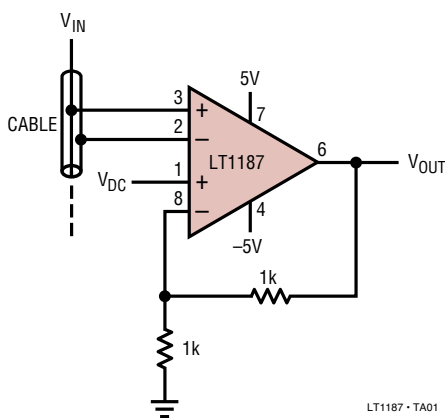
The LT1187's high slew rate, 165V/ms, wide bandwidth, 50MHz, and  $\pm 20$ mA output current require only 13mA of supply current. The shutdown feature reduces the power dissipation to a mere 15mW and allows multiple amplifiers to drive the same cable.

The LT1187 is a low power version of the popular LT1193, and is available in 8-pin miniDIPs and SO packages. For applications with gains of 10 or more, see the LT1189 data sheet.

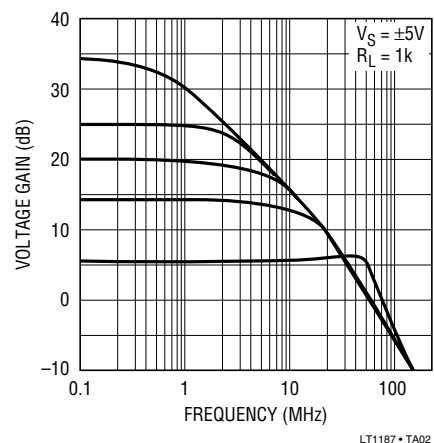
LT, LT, LTC and LTM are registered trademarks of Linear Technology Corporation. All other trademarks are the property of their respective owners.

## TYPICAL APPLICATION

### Cable Sense Amplifier for Loop Through Connections with DC Adjust



### Closed-Loop Gain vs Frequency



## ABSOLUTE MAXIMUM RATINGS

(Note 1)

Total Supply Voltage ( $V^+$ to $V^-$ ) .....	18V
Differential Input Voltage .....	$\pm 6V$
Input Voltage.....	$\pm V_S$
Output Short-Circuit Duration (Note 2) .....	Continuous
Operating Temperature Range	
LT1187C .....	0°C to 70°C
LT1187I .....	-40°C to 85°C
<b>LT1187M (OBSOLETE)</b> .....	<b>-55°C to 150°C</b>
Junction Temperature (Note 3)	
Plastic Packages (CN8, CS8) .....	150°C
Ceramic Packages (CJ8, MJ8) <b>(OBSOLETE)</b> .....	<b>175°C</b>
Storage Temperature Range.....	-65°C to 150°C
Lead Temperature (Soldering, 10 sec) .....	300°C

## PACKAGE/ORDER INFORMATION

<p>N8 PACKAGE 8-LEAD PDIP S8 PACKAGE 8-LEAD PLASTIC SO</p> <p><math>T_{JMAX} = 150^\circ\text{C}</math>, <math>\theta_{JA} = 100^\circ\text{C/W}</math> (N8) <math>T_{JMAX} = 150^\circ\text{C}</math>, <math>\theta_{JA} = 150^\circ\text{C/W}</math> (S8)</p> <p>J8 PACKAGE 8-LEAD CERDIP <math>T_{JMAX} = 175^\circ\text{C}</math>, <math>\theta_{JA} = 100^\circ\text{C/W}</math></p>	ORDER PART NUMBER
	LT1187CN8 LT1187CS8 LT1187IN8
	S8 PART MARKING
	1187
	LT1187MJ8 LT1187CJ8
<b>OBSOLETE PACKAGE</b> Consider the N8 or S8 Packages for Alternate Source	
<b>Order Options</b> Tape and Reel: Add #TR Lead Free: Add #PBF Lead Free Tape and Reel: Add #TRPBF Lead Free Part Marking: <a href="http://www.linear.com/leadfree/">http://www.linear.com/leadfree/</a>	

Consult LTC Marketing for parts specified with wider operating temperature ranges.

## $\pm 5V$ ELECTRICAL CHARACTERISTICS $T_A = 25^\circ\text{C}$ (Note 4)

$V_S = \pm 5V$ ,  $V_{REF} = 0V$ ,  $R_{FB1} = 900\Omega$  from Pins 6 to 8,  $R_{FB2} = 100\Omega$  from Pin 8 to ground,  $R_L = R_{FB1} + R_{FB2} = 1k$ ,  $C_L \leq 10pF$ , Pin 5 open.

SYMBOL	PARAMETERS	CONDITIONS	LT1187C/I/M			UNITS
			MIN	MAX	MAX	
$V_{OS}$	Input Offset Voltage	Either Input (Note 5) S8 Package		2.0 2.0	10 11	mV
$I_{OS}$	Input Offset Current	Either Input		0.2	1.0	$\mu A$
$I_B$	Input Bias Current	Either Input		$\pm 0.5$	$\pm 2.0$	$\mu A$
$e_n$	Input Noise Voltage	$f_0 = 10\text{kHz}$		65		$nV/\sqrt{Hz}$
$i_n$	Input Noise Current	$f_0 = 10\text{kHz}$		1.5		$pA/\sqrt{Hz}$
$R_{IN}$	Input Resistance	Differential		100		$k\Omega$
$C_{IN}$	Input Capacitance	Either Input		2.0		pF
$V_{INLIM}$	Input Voltage Limit	(Note 6)		$\pm 380$		mV
	Input Voltage Range		-2.5		3.5	V
CMRR	Common Mode Rejection Ratio	$V_{CM} = -2.5V$ to $3.5V$	70	100		dB
PSRR	Power Supply Rejection Ratio	$V_S = \pm 2.375V$ to $\pm 8V$	70	85		dB
$V_{OUT}$	Output Voltage Swing	$V_S = \pm 5V$ , $R_L = 1k$ , $A_V = 50$ $V_S = \pm 8V$ , $R_L = 1k$ , $A_V = 50$ $V_S = \pm 8V$ , $R_L = 300\Omega$ , $A_V = 50$ , (Note 4)	$\pm 3.8$ $\pm 6.7$ $\pm 6.4$	$\pm 4.0$ $\pm 7.0$ $\pm 6.8$		V V V
$G_E$	Gain Error	$V_O = \pm 1V$ , $A_V = 10$ , $R_L = 1k$		0.2	1.0	%
SR	Slew Rate	(Notes 7, 11)	100	165		V/ $\mu s$
FPBW	Full Power Bandwidth	$V_O = 1V_{P-P}$ (Note 8)		53		MHz
BW	Small-Signal Bandwidth	$A_V = 10$		5.7		MHz
$t_r$ , $t_f$	Rise Time, Fall Time	$A_V = 50$ , $V_O = \pm 1.5V$ , 20% to 80% (Note 11)	150	230	325	ns
$t_{PD}$	Propagation Delay	$R_L = 1k$ , $V_O = \pm 125mV$ , 50% to 50%		26		ns
	Overshoot	$V_O = \pm 50mV$		0		%
$t_s$	Settling Time	3V Step, 0.1% (Note 9)		100		ns
Diff AV	Differential Gain	$R_L = 1k$ , $A_V = 4$ (Note 10)		0.6		%
Diff Ph	Differential Phase	$R_L = 1k$ , $A_V = 4$ (Note 10)		0.8		DEG <sub>P-P</sub>

**±5V ELECTRICAL CHARACTERISTICS**  $T_A = 25^\circ\text{C}$  (Note 4)

$V_S = \pm 5\text{V}$ ,  $V_{REF} = 0\text{V}$ ,  $R_{FB1} = 900\Omega$  from Pins 6 to 8,  $R_{FB2} = 100\Omega$  from Pin 8 to ground,  $R_L = R_{FB1} + R_{FB2} = 1\text{k}$ ,  $C_L \leq 10\text{pF}$ , Pin 5 open.

SYMBOL	PARAMETERS	CONDITIONS	LT1187C/I/M			UNITS
			MIN	MAX	MAX	
$I_S$	Supply Current			13	16	mA
	Shutdown Supply Current	Pin 5 at $V^-$		0.8	1.5	mA
$I_{S/D}$	Shutdown Pin Current	Pin 5 at $V^-$		5	25	$\mu\text{A}$
$t_{ON}$	Turn-On Time	Pin 5 from $V^-$ to Ground, $R_L = 1\text{k}$		500		ns
$t_{OFF}$	Turn-Off Time	Pin 5 from Ground to $V^-$ , $R_L = 1\text{k}$		600		ns

**5V ELECTRICAL CHARACTERISTICS**  $T_A = 25^\circ\text{C}$  (Note 4)

$V_S^+ = 5\text{V}$ ,  $V_S^- = 0\text{V}$ ,  $V_{REF} = 2.5\text{V}$ ,  $R_{FB1} = 900\Omega$  from Pins 6 to 8,  $R_{FB2} = 100\Omega$  from Pin 8 to  $V_{REF}$ ,  $R_L = R_{FB1} + R_{FB2} = 1\text{k}$ ,  $C_L \leq 10\text{pF}$ , Pin 5 open.

SYMBOL	PARAMETER	CONDITIONS	LT1187C/I/M			UNITS
			MIN	TYP	MAX	
$V_{OS}$	Input Offset Voltage	Either Input (Note 5)		2.0	10	mV
		SO Package		2.0	12	mV
$I_{OS}$	Input Offset Current	Either Input		0.2	1.0	$\mu\text{A}$
$I_B$	Input Bias Current	Either Input		$\pm 0.5$	$\pm 2.0$	$\mu\text{A}$
	Input Voltage Range		2.0		3.5	V
CMRR	Common Mode Rejection Ratio	$V_{CM} = 2.0\text{V}$ to $3.5\text{V}$	70	100		dB
$V_{OUT}$	Output Voltage Swing	$R_L = 300\Omega$ to Ground (Note 4)	$V_{OUT}$ High	3.6	4.0	V
			$V_{OUT}$ Low		0.15	0.4
SR	Slew Rate	$V_O = 1.5\text{V}$ to $3.5\text{V}$		130		V/ $\mu\text{s}$
BW	Small-Signal Bandwidth	$A_V = 10$		5.3		MHz
$I_S$	Supply Current			12	15	mA
	Shutdown Supply Current	Pin 5 at $V^-$		0.8	1.5	mA
$I_{S/D}$	Shutdown Pin Current	Pin 5 at $V^-$		5	25	$\mu\text{A}$

**±5V ELECTRICAL CHARACTERISTICS**  $-55^\circ\text{C} \leq T_A \leq 125^\circ\text{C}$  (Note 4)

$V_S = \pm 5\text{V}$ ,  $V_{REF} = 0\text{V}$ ,  $R_{FB1} = 900\Omega$  from Pins 6 to 8,  $R_{FB2} = 100\Omega$  from Pin 8 to ground,  $R_L = R_{FB1} + R_{FB2} = 1\text{k}$ ,  $C_L \leq 10\text{pF}$ , Pin 5 open.

SYMBOL	PARAMETER	CONDITIONS	MIN	LT1187M		UNITS
				TYP	MAX	
$V_{OS}$	Input Offset Voltage	Either Input (Note 5)		2.0	15	mV
$\Delta V_{OS}/\Delta T$	Input $V_{OS}$ Drift			8.0		mV/ $^\circ\text{C}$
$I_{OS}$	Input Offset Current	Either Input		0.2	1.5	$\mu\text{A}$
$I_B$	Input Bias Current	Either Input		$\pm 0.5$	$\pm 3.5$	$\mu\text{A}$
	Input Voltage Range		-2.5		3.5	V
CMRR	Common Mode Rejection Ratio	$V_{CM} = -2.5\text{V}$ to $3.5\text{V}$	70	100		dB
PSRR	Power Supply Rejection Ratio	$V_S = \pm 2.375\text{V}$ to $\pm 8\text{V}$	60	85		dB
$V_{OUT}$	Output Voltage Swing	$V_S = \pm 5\text{V}$ , $R_L = 1\text{k}$ , $A_V = 50$	$\pm 3.7$	$\pm 4.0$		V
		$V_S = \pm 8\text{V}$ , $R_L = 1\text{k}$ , $A_V = 50$	$\pm 6.6$	$\pm 7.0$		V
		$V_S = \pm 8\text{V}$ , $R_L = 300\Omega$ , $A_V = 50$ (Note 4)	$\pm 6.4$	$\pm 6.8$		V
$G_E$	Gain Error	$V_O = \pm 1\text{V}$ , $A_V = 10$ , $R_L = 1\text{k}$		0.2	1.2	%
$I_S$	Supply Current			13	17	mA
	Shutdown Supply Current	Pin 5 at $V^-$ (Note 12)		0.8	1.5	mA
$I_{S/D}$	Shutdown Pin Current	Pin 5 at $V^-$		5	25	$\mu\text{A}$

## ±5V ELECTRICAL CHARACTERISTICS $0^{\circ}\text{C} \leq T_A \leq 70^{\circ}\text{C}$ (LT1187C) $-40^{\circ}\text{C} \leq T_A \leq 85^{\circ}\text{C}$ (LT1187I) (Note 4)

$V_S = \pm 5\text{V}$ ,  $V_{REF} = 0\text{V}$ ,  $R_{FB1} = 900\Omega$  from Pins 6 to 8,  $R_{FB2} = 100\Omega$  from Pin 8 to ground,  $R_L = R_{FB1} + R_{FB2} = 1\text{k}$ ,  $C_L \leq 10\text{pF}$ , Pin 5 open.

SYMBOL	PARAMETER	CONDITIONS	LT1187C/I			UNITS
			MIN	TYP	MAX	
$V_{OS}$	Input Offset Voltage	Either Input (Note 5)		2.0	12	mV
$\Delta V_{OS}/\Delta T$	Input $V_{OS}$ Drift			9.0		mV/ $^{\circ}\text{C}$
$I_{OS}$	Input Offset Current	Either Input		0.2	1.5	$\mu\text{A}$
$I_B$	Input Bias Current	Either Input		$\pm 0.5$	$\pm 3.5$	$\mu\text{A}$
	Input Voltage Range		-2.5		3.5	V
CMRR	Common Mode Rejection Ratio	$V_{CM} = -2.5\text{V}$ to $3.5\text{V}$	70	100		dB
PSRR	Power Supply Rejection Ratio	$V_S = \pm 2.375\text{V}$ to $\pm 8\text{V}$	65	85		dB
$V_{OUT}$	Output Voltage Swing	$V_S = \pm 5\text{V}$ , $R_L = 1\text{k}$ , $A_V = 50$ $V_S = \pm 8\text{V}$ , $R_L = 1\text{k}$ , $A_V = 50$ $V_S = \pm 8\text{V}$ , $R_L = 300\Omega$ , $A_V = 50$ (Note 4)	$\pm 3.7$ $\pm 6.6$ $\pm 6.4$	$\pm 4.0$ $\pm 7.0$ $\pm 6.8$		V V V
$G_E$	Gain Error	$V_O = \pm 1\text{V}$ , $A_V = 10$ , $R_L = 1\text{k}$		0.2	1.0	%
$I_S$	Supply Current			13	17	mA
	Shutdown Supply Current	Pin 5 at $V^-$ (Note 12)		0.8	1.5	mA
$I_{S/D}$	Shutdown Pin Current	Pin 5 at $V^-$		5	25	$\mu\text{A}$

## 5V ELECTRICAL CHARACTERISTICS $0^{\circ}\text{C} \leq T_A \leq 70^{\circ}\text{C}$ (LT1187C) $-40^{\circ}\text{C} \leq T_A \leq 85^{\circ}\text{C}$ (LT1187I) (Note 4)

$V_S^+ = 5\text{V}$ ,  $V_S^- = 0\text{V}$ ,  $V_{REF} = 2.5\text{V}$ ,  $R_{FB1} = 900\Omega$  from Pins 6 to 8,  $R_{FB2} = 100\Omega$  from Pin 8 to  $V_{REF}$ ,  $R_L = R_{FB1} + R_{FB2} = 1\text{k}$ ,  $C_L \leq 10\text{pF}$ , Pin 5 open.

SYMBOL	PARAMETER	CONDITIONS	LT1187C/I			UNITS
			MIN	TYP	MAX	
$V_{OS}$	Input Offset Voltage	Either Input (Note 5) SO Package		2.0 2.0	12.0 13.0	mV mV
$\Delta V_{OS}/\Delta T$	Input $V_{OS}$ Drift			9.0		$\mu\text{V}/^{\circ}\text{C}$
$I_{OS}$	Input Offset Current	Either Input		0.2	1.5	$\mu\text{A}$
$I_B$	Input Bias Current	Either Input		$\pm 0.5$	$\pm 3.5$	$\mu\text{A}$
	Input Voltage Range		2.0		3.5	V
CMRR	Common Mode Rejection Ratio	$V_{CM} = 2.0\text{V}$ to $3.5\text{V}$	70	100		dB
$V_{OUT}$	Output Voltage Swing	$R_L = 300\Omega$ to Ground (Note 4)				
		$V_{OUT}$ High	3.5	4.0		V
		$V_{OUT}$ Low		0.15	0.4	V
$I_S$	Supply Current			12	16	mA
	Shutdown Supply Current	Pin 5 at $V^-$ (Note 12)		0.8	1.5	mA
$I_{S/D}$	Shutdown Pin Current	Pin 5 at $V^-$		5	25	$\mu\text{A}$

**Note 1:** Stresses beyond those listed under Absolute Maximum Ratings may cause permanent damage to the device. Exposure to any Absolute Maximum Rating condition for extended periods may affect device reliability and lifetime.

**Note 2:** A heat sink may be required to keep the junction temperature below absolute maximum when the output is shorted continuously.

**Note 3:**  $T_J$  is calculated from the ambient temperature  $T_A$  and power dissipation  $P_D$  according to the following formulas:

$$\text{LT1187MJ8, LT1187CJ8: } T_J = T_A + (P_D \cdot 100^{\circ}\text{C/W})$$

$$\text{LT1187CN8: } T_J = T_A + (P_D \cdot 100^{\circ}\text{C/W})$$

$$\text{LT1187CS8: } T_J = T_A + (P_D \cdot 150^{\circ}\text{C/W})$$

**Note 4:** When  $R_L = 1\text{k}$  is specified, the load resistor is  $R_{FB1} + R_{FB2}$ , but when  $R_L = 300\Omega$  is specified, then an additional  $430\Omega$  is added to the output such that  $(R_{FB1} + R_{FB2})$  in parallel with  $430\Omega$  is  $R_L = 300\Omega$ .

**Note 5:**  $V_{OS}$  measured at the output (Pin 6) is the contribution from both input pair and is input referred.

**Note 6:**  $V_{IN\text{ LIM}}$  is the maximum voltage between  $-V_{IN}$  and  $+V_{IN}$  (Pin 2 and Pin 3) for which the output can respond.

**Note 7:** Slew rate is measured between  $\pm 0.5\text{V}$  on the output, with a  $V_{IN}$  step of  $\pm 0.75\text{V}$ ,  $A_V = 3$  and  $R_L = 1\text{k}$ .

**Note 8:** Full power bandwidth is calculated from the slew rate measurement:  $\text{FPBW} = \text{SR}/2\pi V_P$ .

**Note 9:** Settling time measurement techniques are shown in "Take the Guesswork Out of Settling Time Measurements," EDN, September 19, 1985.

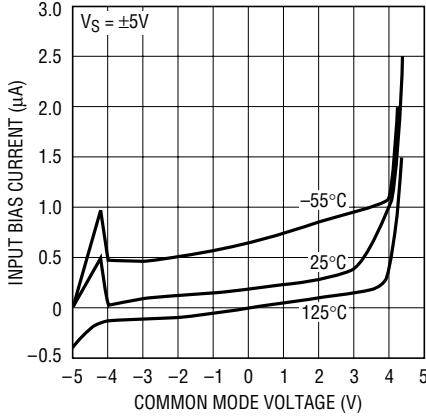
**Note 10:** NTSC (3.58MHz).

**Note 11:** AC parameters are 100% tested on the ceramic and plastic DIP packaged parts (J8 and N8 suffix) and are sample tested on every lot of the SO packaged parts (S8 suffix).

**Note 12:** See Application section for shutdown at elevated temperatures. Do not operate shutdown above  $T_J > 125^{\circ}\text{C}$ .

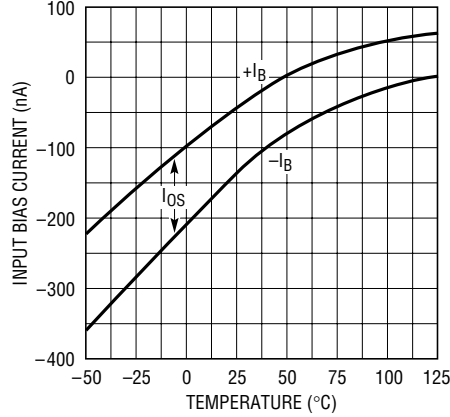
# TYPICAL PERFORMANCE CHARACTERISTICS

**Input Bias Current vs Common Mode Voltage**



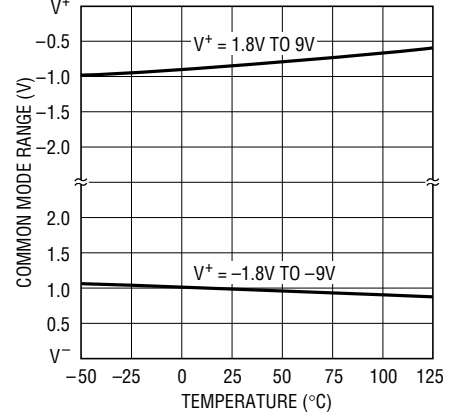
LT1187 • TPC01

**Input Bias Current vs Temperature**



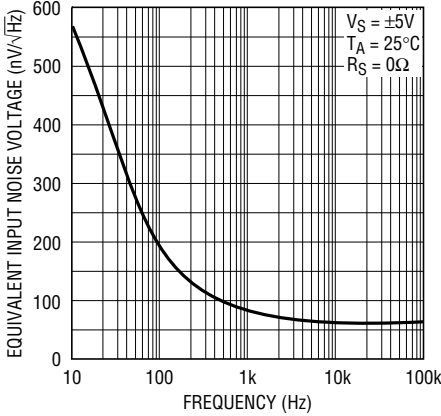
LT1187 • TPC02

**Common Mode Voltage vs Temperature**



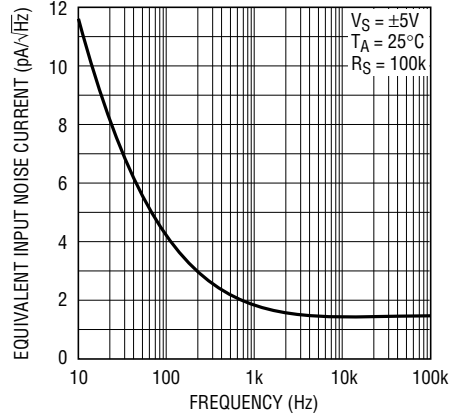
LT1187 • TPC03

**Equivalent Input Noise Voltage vs Frequency**



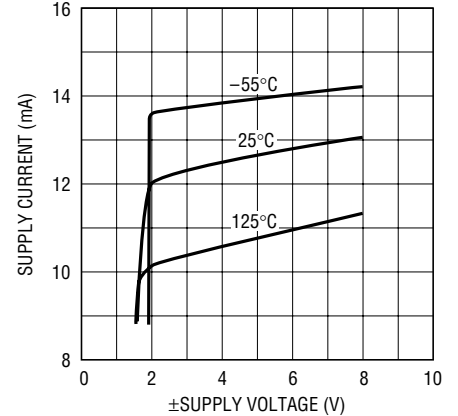
LT1187 • TPC04

**Equivalent Input Noise Current vs Frequency**



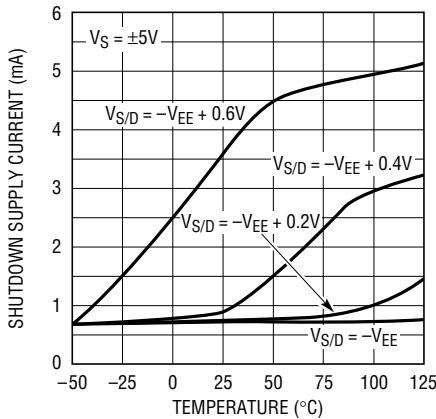
LT1187 • TPC05

**Supply Current vs Supply Voltage**



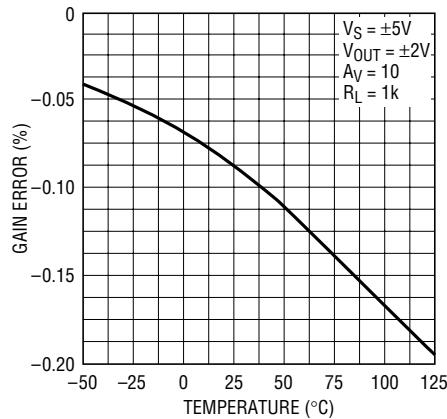
LT1187 • TPC06

**Shutdown Supply Current vs Temperature**



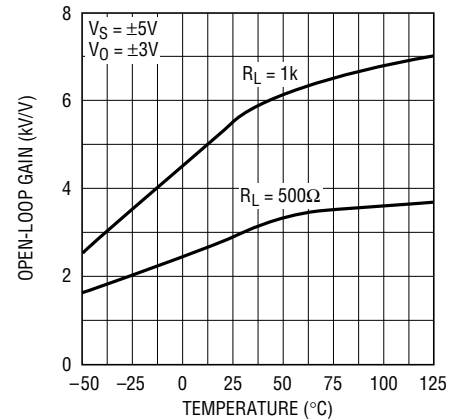
LT1187 • TPC07

**Gain Error vs Temperature**



LT1187 • TPC08

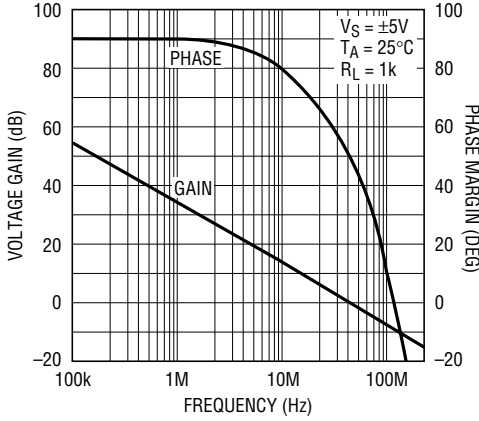
**Open-Loop Gain vs Temperature**



LT1187 • TPC09

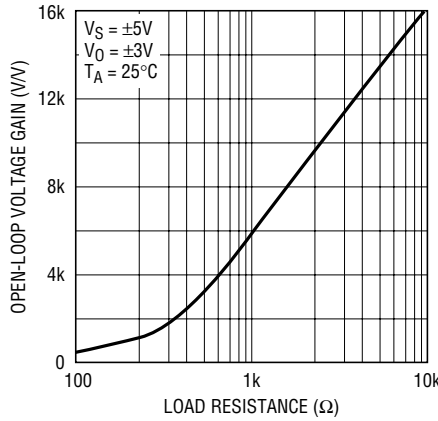
TYPICAL PERFORMANCE CHARACTERISTICS

Gain, Phase vs Frequency



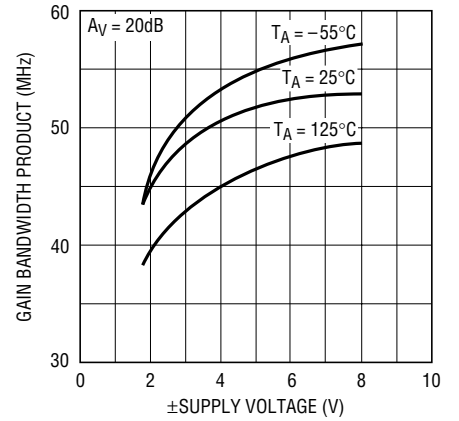
LT1187 • TPC11

Open-Loop Voltage Gain vs Load Resistance



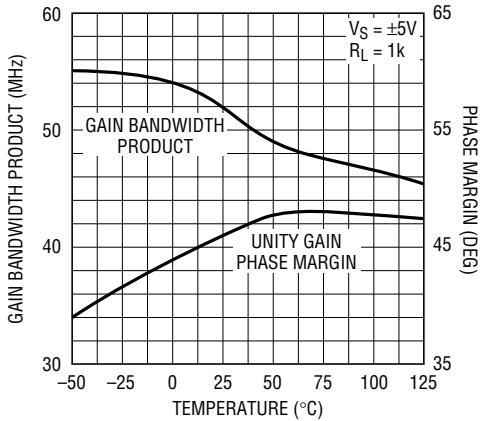
LT1187 • TPC10

Gain Bandwidth Product vs Supply Voltage



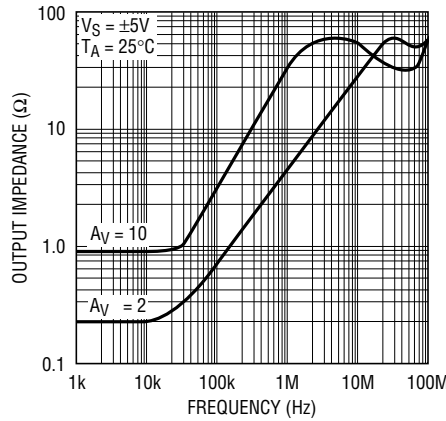
LT1187 • TPC12

Gain Bandwidth Product and Unity Gain Phase Margin vs Temperature



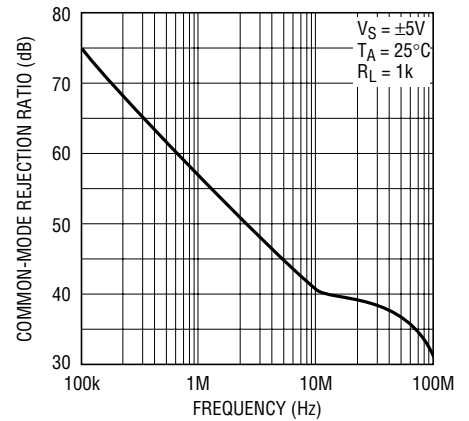
LT1187 • TPC13

Output Impedance vs Frequency



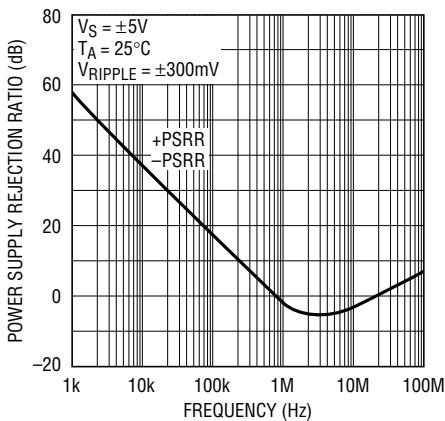
LT1187 • TPC14

Common Mode Rejection Ratio vs Frequency



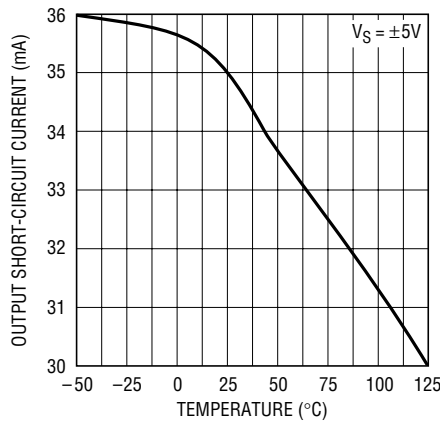
LT1187 • TPC15

Power Supply Rejection Ratio vs Frequency



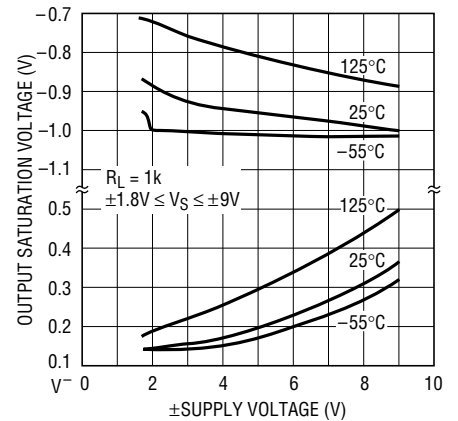
LT1187 • TPC16

Output Short-Circuit Current vs Temperature



LT1187 • TPC17

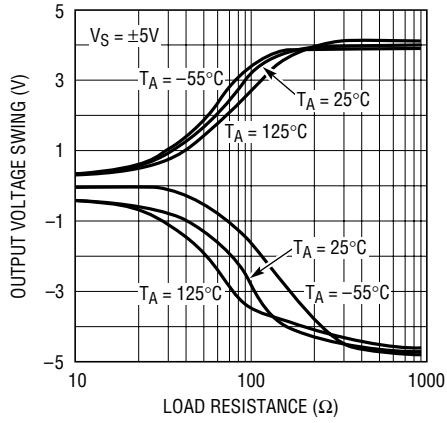
±Output Swing vs Supply Voltage



LT1187 • TPC18

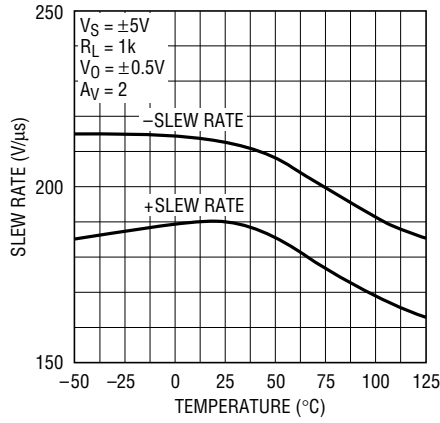
# TYPICAL PERFORMANCE CHARACTERISTICS

**Output Voltage Swing vs Load Resistance**



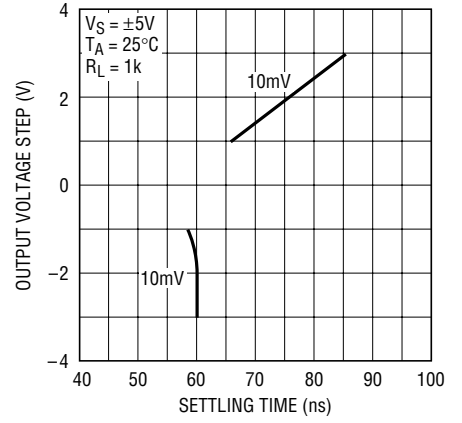
LT1187 • TPC19

**Slew Rate vs Temperature**



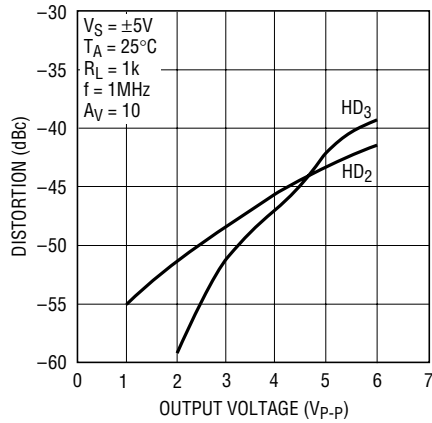
LT1187 • TPC20

**Output Voltage Step vs Settling Time,  $A_V = 2$**



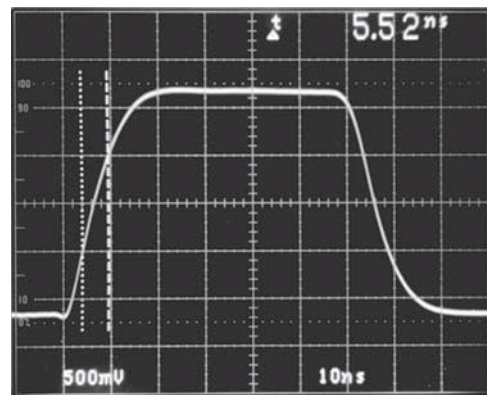
LT1187 • TPC21

**Harmonic Distortion vs Output Voltage**



LT1187 • TPC22

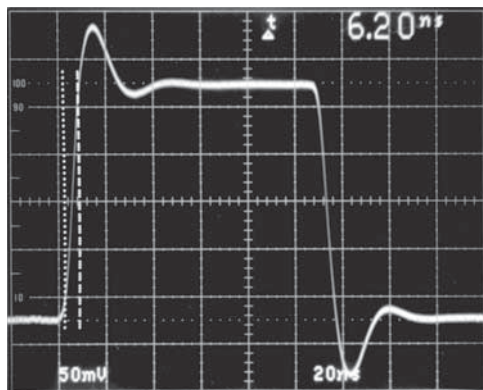
**Large-Signal Transient Response**



INPUT IN LIMITING,  $A_V = 3$ ,  $SR = 180V/\mu s$

LT1187 • TPC23

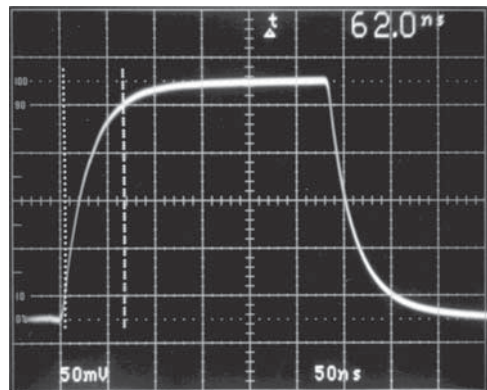
**Small-Signal Transient Response**



$A_V = 2$ ,  $R_{FB} = 1k$ , OVERSHOOT = 25%

LT1187 • TPC24

**Small-Signal Transient Response**



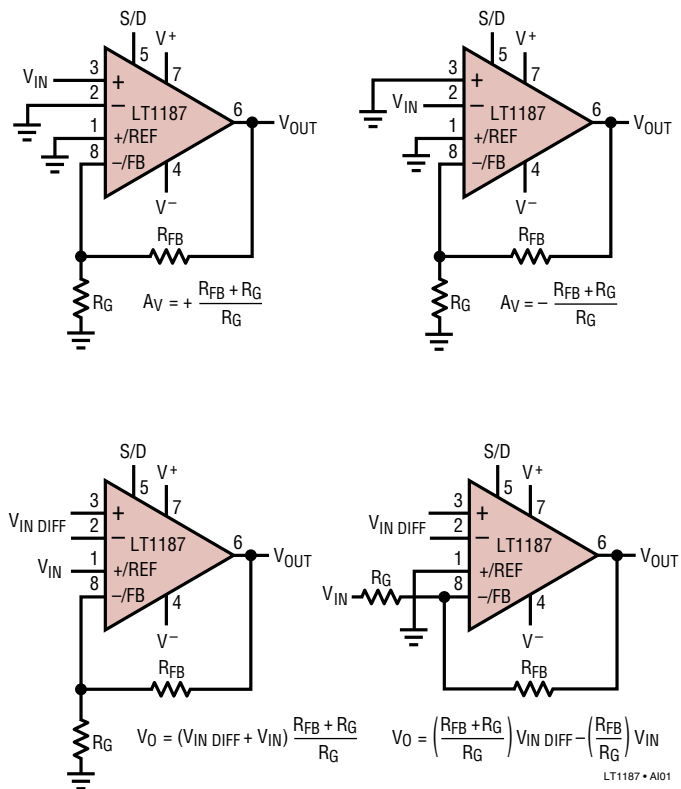
$A_V = 2$ ,  $R_{FB} = 1k$ , OVERSHOOT = 25%

LT1187 • TPC25

## APPLICATIONS INFORMATION

The primary use of the LT1187 is in converting high speed differential signals to a single-ended output. The LT1187 video difference amplifier has two uncommitted high input impedance (+) and (-) inputs. The amplifier has another set of inputs which can be used for reference and feedback. Additionally, this set of inputs give gain adjust and DC control to the difference amplifier. The voltage gain of the LT1187 is set like a conventional operational amplifier. Feedback is applied to Pin 8, and it is optimized for gains of 2 or greater. The amplifier can be operated single-ended by connecting either the (+) or (-) inputs to the +/REF (Pin 1). The voltage gain is set by the resistors:  $(R_{FB} + R_G)/R_G$ .

Like the single-ended case, the differential voltage gain is set by the external resistors:  $(R_{FB} + R_G)/R_G$ . The maximum input differential signal for which the output will respond is approximately  $\pm 0.38V$ .



### Power Supply Bypassing

The LT1187 is quite tolerant of power supply bypassing. In some applications a 0.1µF ceramic disc capacitor placed 1/2 inch from the amplifier is all that is required. In applications requiring good settling time, it is important to use multiple bypass capacitors. A 0.1µF ceramic disc in parallel with a 4.7µF tantalum is recommended.

### Calculating the Output Offset Voltage

Both input stages contribute to the output offset voltage at Pin 6. The feedback correction forces balance in the input stages by introducing an input  $V_{OS}$  at Pin 8. The complete expression for the output offset voltage is:

$$V_{OUT} = (V_{OS} + I_{OS}(R_S) + I_B(R_{REF})) \cdot (R_{FB} + R_G)/R_G + I_B(R_{FB})$$

$R_S$  represents the input source resistance, typically 75Ω, and  $R_{REF}$  represents the finite source impedance from the DC reference voltage, for  $V_{REF}$  grounded,  $R_{REF} = 0\Omega$ . The  $I_{OS}$  is normally a small contributor and the expression simplifies to:

$$V_{OUT} = V_{OS}(R_{FB} + R_G)/R_G + I_B(R_{FB})$$

If  $R_{FB}$  is limited to 1k the last term of the equation contributes only 2mV, since  $I_B$  is less than 2µA.

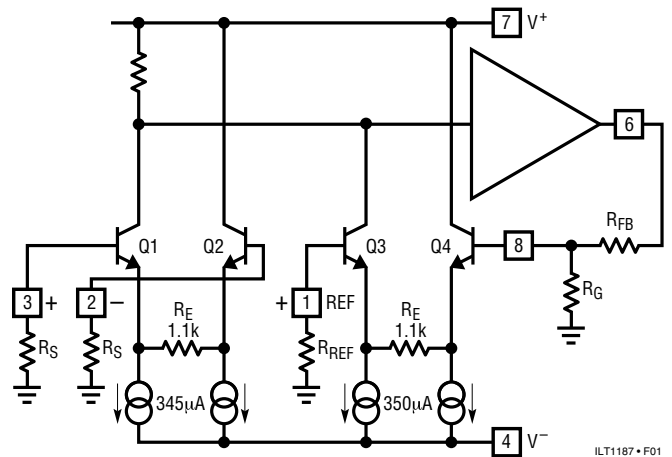


Figure 1. Simplified Input Stage Schematic

ILT1187 • F01

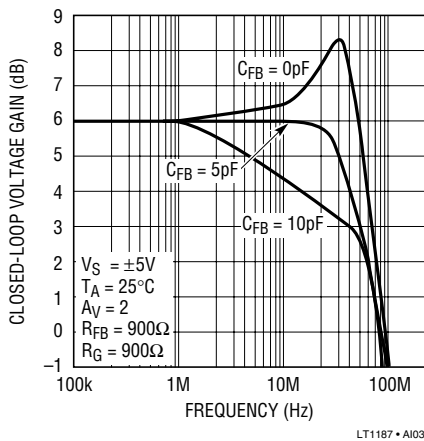


## APPLICATIONS INFORMATION

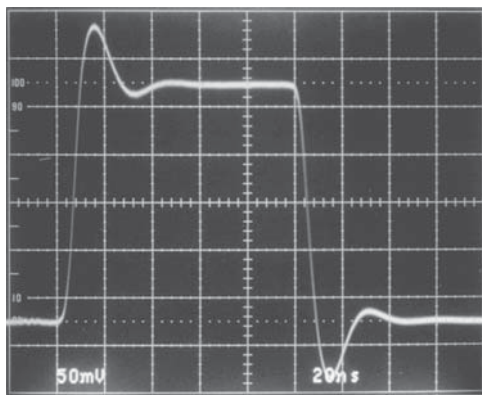
### Operating with Low Closed-Loop Gains

The LT1187 has been optimized for closed-loop gains of 2 or greater. For a closed-loop gain of 2 the response peaks about 2dB. Peaking can be eliminated by placing a capacitor across the feedback resistor, (feedback zero). This peaking shows up as time domain overshoot of about 25%.

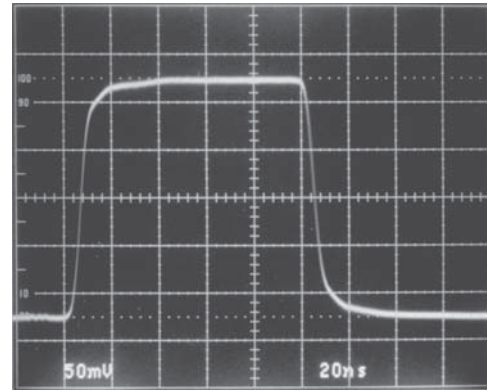
Closed-Loop Voltage Gain vs Frequency



Small-Signal Transient Response



Small-Signal Transient Response



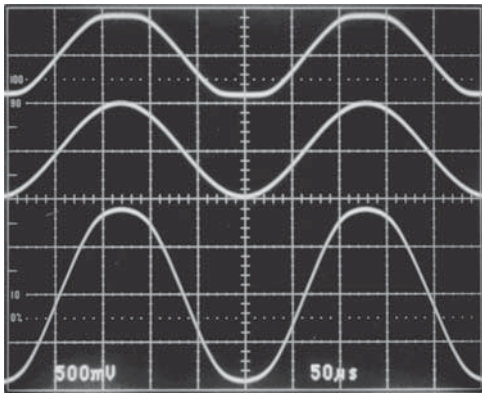
### Extending the Input Range

Figure 1 shows a simplified schematic of the LT1187. In normal operation REF, Pin 1, is grounded or taken to a DC offset control voltage and differential signals are applied between Pins 2 and 3. The input responds linearly until all of the 345 $\mu$ A current flows through the 1.1k resistor and Q1 (or Q2) turns off. Therefore the maximum input swing is 380mV<sub>P-P</sub> or 760mV<sub>P-P</sub>. The second differential pair, Q3 and Q4, is running at slightly larger current so that when the first input stage limits, the second stage remains biased to maintain the feedback.

Occasionally it is necessary to handle signals larger than 760mV<sub>P-P</sub> at the input. The LT1187 input stage can be tricked to handle up to 1.5V<sub>P-P</sub>. To do this, it is necessary to ground Pin 3 and apply the differential input signal between Pins 1 and 2. The input signal is now applied across two 1.1k resistors in series. Since the input signal is applied to both input pairs, the first pair will run out of bias current before the second pair, causing the amplifier to go open loop. The results of this technique are shown in the following scope photo.

## APPLICATIONS INFORMATION

LT1187 in Unity Gain



(A) STANDARD INPUTS, PINS 2 TO 3,  $V_{IN} = 1.0V_{P-P}$   
 (B) EXTENDED INPUTS, PINS 2 TO 2,  $V_{IN} = 1.0V_{P-P}$   
 (C) EXTENDED INPUTS, PINS 1 TO 2,  $V_{IN} = 2.0V_{P-P}$

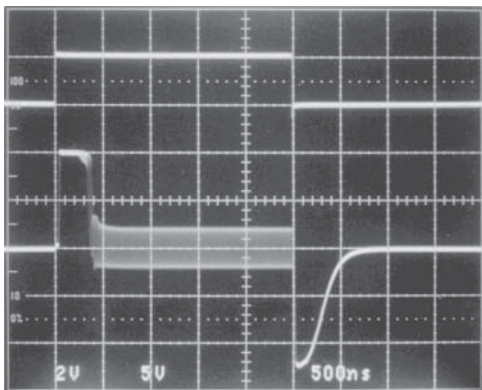
LT1187 • A106

### Using the Shutdown Feature

The LT1187 has a unique feature that allows the amplifier to be shutdown for conserving power, or for multiplexing several amplifiers onto a common cable. The amplifier will shut down by taking Pin 5 to  $V^-$ . In shutdown, the amplifier dissipates 15mW while maintaining a true high impedance output state of 20k in parallel with the feedback resistors. For MUX applications, the amplifiers may be configured inverting, noninverting or differential. When the output is loaded with as little 1k from the amplifier's feedback resistors, the amplifier shuts off in 600ns. This shutoff can be under the control of HC CMOS operating between 0V and -5V.

The ability to maintain shutoff is shown on the curve Shutdown Supply Current vs Temperature in the Typical

1MHz Sine Wave Gated Off with Shutdown Pin



$A_V = 2$ ,  $R_{FB} = R_G = 1k$

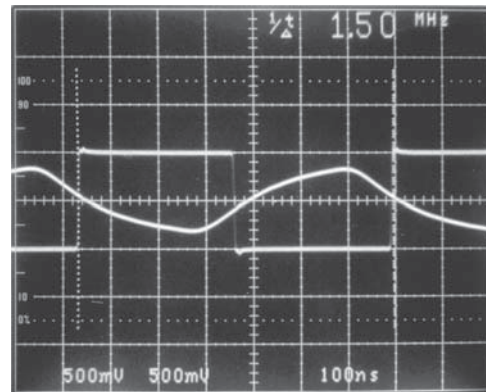
LT1187 • A107

Performance Characteristics section. At very high elevated temperature it is important to hold the shutdown pin close to the negative supply to keep the supply current from increasing.

### Send Color Video Over Twisted-Pair

With an LT1187 it is possible to send and receive color composite video signals more than 1000 feet on a low cost twisted-pair. A bi-directional "video bus" consists of the LT1195 op amp and the LT1187 video difference amplifier. A pair of LT1195s at Transmit 1 is used to generate differential signals to drive the line which is back-terminated in its characteristic impedance. The LT1187 twisted-pair receiver converts signals from differential to single-ended. Topology of the LT1187 provides for cable compensation at the amplifier's feedback node as shown. In this case, 1000 feet of twisted-pair is compensated with 1000pF and 50Ω to boost the 3dB bandwidth of the system from 750kHz to 4MHz. This bandwidth is adequate to pass a 3.58MHz chroma subcarrier and the 4.5MHz sound subcarrier. Attenuation in the cable can be compensated by lowering the gain set resistor  $R_G$ . At Transmit 2, another pair of LT1195s serve the dual function to provide cable termination via low output impedance, and generate differential signals for Transmit 2. Cable termination is made up of a 15Ω and 33Ω attenuator to reduce the differential input signal to the LT1187. Maximum input signal for the LT1187 is 760mV<sub>P-P</sub>.

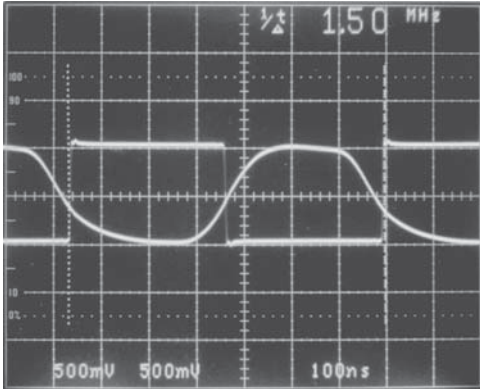
1.5MHz Square Wave Input and Unequalized Response Through 1000 Feet of Twisted-Pair



LT1187 • A108

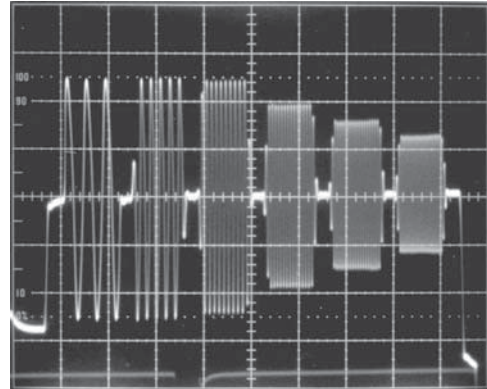
# APPLICATIONS INFORMATION

1.5MHz Square Wave Input and Equalized Response Through 1000 Feet of Twisted-Pair



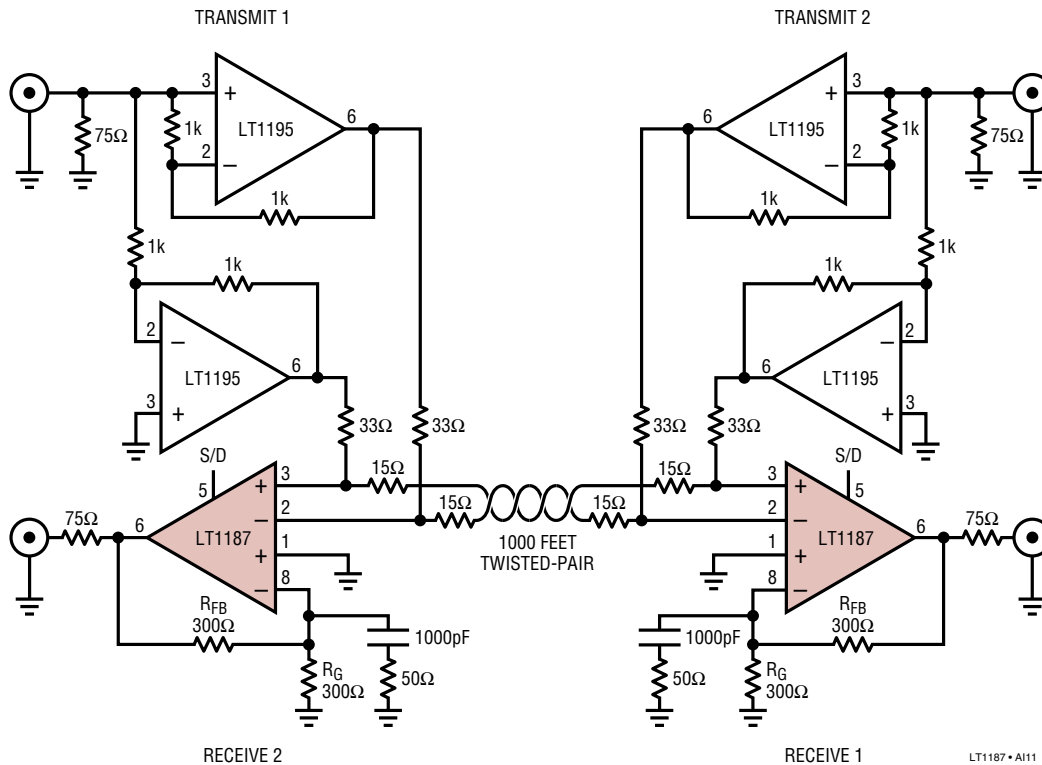
LT1187 • A109

Multiburst Pattern Passed Through 1000 Feet of Twisted-Pair



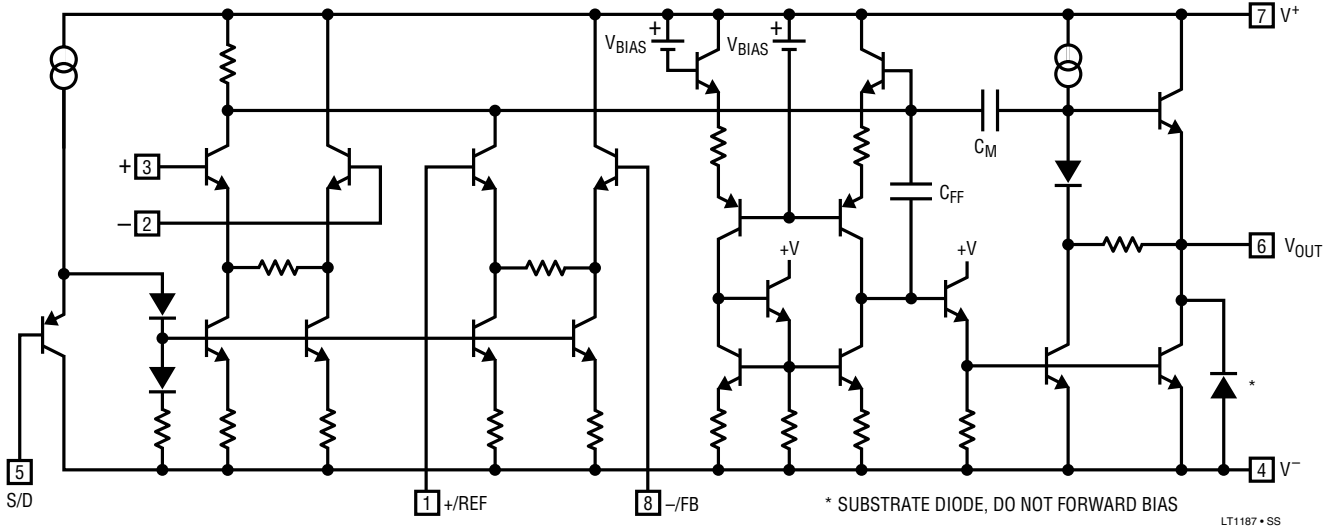
LT1187 • A110

## Bi-Directional Video Bus



LT1187 • A111

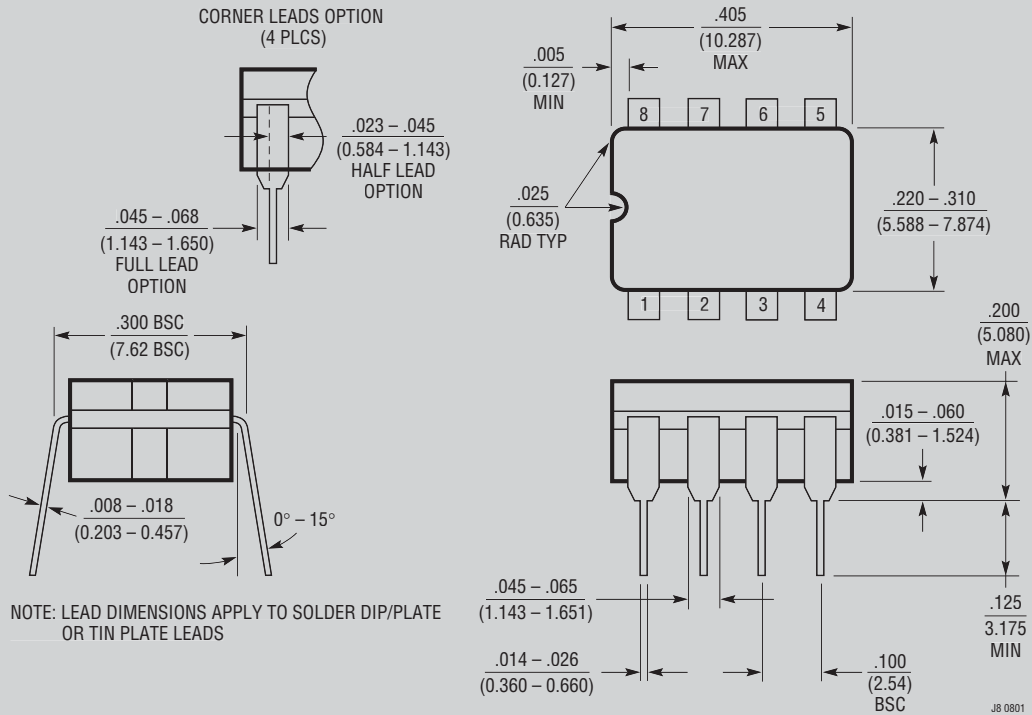
SIMPLIFIED SCHEMATIC



LT1187 • SS

**PACKAGE DESCRIPTION**

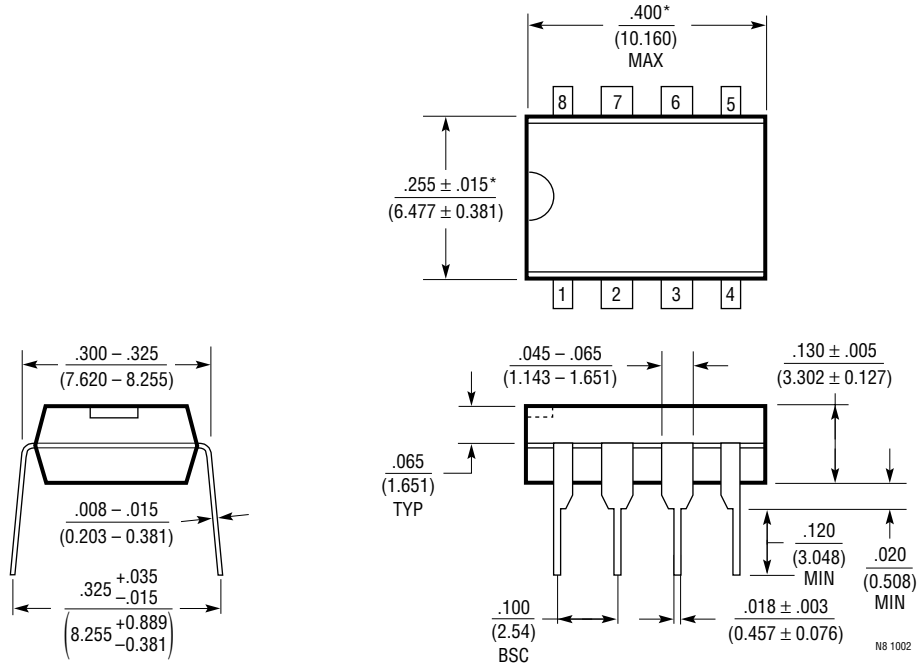
**J8 Package**  
**8-Lead CERDIP (Narrow .300 Inch, Hermetic)**  
 (Reference LTC DWG # 05-08-1110)



**OBsolete PACKAGE**

**PACKAGE DESCRIPTION**

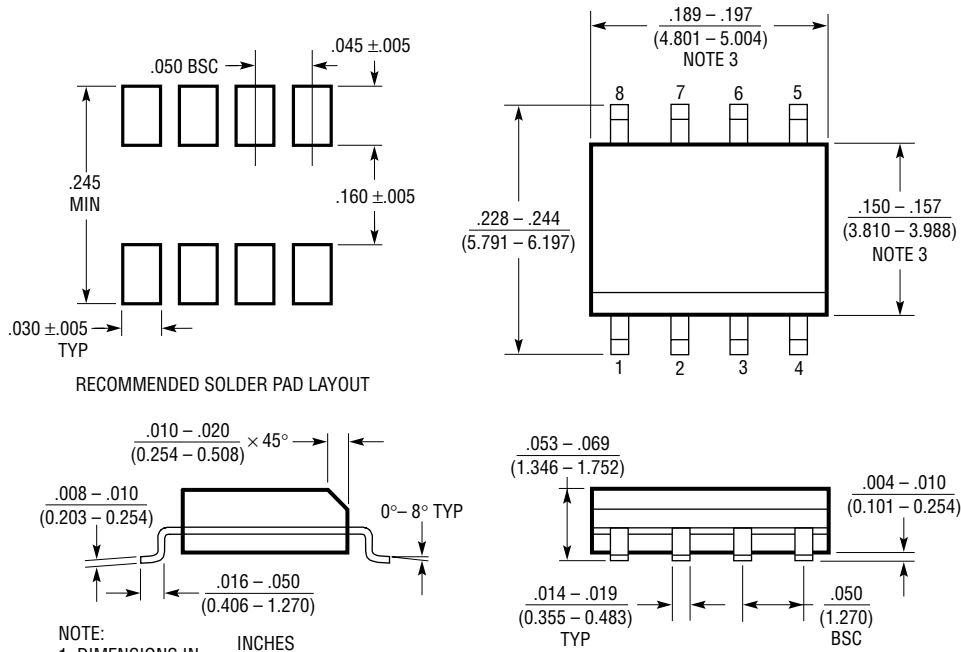
**N8 Package**  
**8-Lead PDIP (Narrow .300 Inch)**  
 (Reference LTC DWG # 05-08-1510)



NOTE:  
 1. DIMENSIONS ARE  $\frac{\text{INCHES}}{\text{MILLIMETERS}}$   
 \*THESE DIMENSIONS DO NOT INCLUDE MOLD FLASH OR PROTRUSIONS.  
 MOLD FLASH OR PROTRUSIONS SHALL NOT EXCEED .010 INCH (0.254mm)

# PACKAGE DESCRIPTION

## S8 Package 8-Lead Plastic Small Outline (Narrow .150 Inch) (Reference LTC DWG # 05-08-1610)



RECOMMENDED SOLDER PAD LAYOUT

- NOTE:
1. DIMENSIONS IN  $\frac{\text{INCHES}}{\text{MILLIMETERS}}$
  2. DRAWING NOT TO SCALE
  3. THESE DIMENSIONS DO NOT INCLUDE MOLD FLASH OR PROTRUSIONS. MOLD FLASH OR PROTRUSIONS SHALL NOT EXCEED  $.006"$  ( $0.15\text{mm}$ )

S08 0303

## RELATED PARTS

PART NUMBER	DESCRIPTION
LT1189	Low Power Video Difference Amplifier
LT1193	Adjustable Gain Video Difference Amplifier
LT1194	Gain = 10 Video Difference Amplifier
LT1206	250mA Out, 900V/ $\mu$ s, 60MHz CFA
LT1354	1mA, 12MHz 400V/ $\mu$ s Op Amplifier
LT6552	3.3V Video Difference Amplifier
LT6559	Low Cost 5V/ $\pm$ 5V Triple Video Amplifier with Shutdown